

PROJECT INFORMATION			
JOB NAME		TYPE	
ORDERING CODE			

GX15

3" Spot / Pendant / Surface



FEATURES

- 3" round cylinder
- 1500 lm
- 90+ CRI
- Track, canopy, surface or pendant mount
- Black or white matte finish

MOUNTING

- ECO track / HALO® Power Trac Track, Juno® track, and Lightolier®
- Monopoint with field cuttable stem
- Surface mount or field adjustable flexible cord pendant mounting option
- ECOH or ECOJ pendant mount option

ELECTRICAL/CONTROLS

- 120Vac, 50-60Hz input, 17W
- Phase dimmable
- Leading and trailing edge (Triac/ELV) dimming to 5%
- 350° rotation, 90° tilt

LISTING

- ETLus Listed to UL1574 (track suitable for dry locations only)
- cETL Listed to CSA C22.2 #9.0

LED INFO

- LED: Luminus CXM-9
- SDCM: 3-step MacAdam Ellipse
- Lumen Maintenance: L₇₀ > 55,000 hrs

ORDERING CODE

SERIES	GX15		
DELIVERED LUMENS	15LM	1513 lm	
		Calculated Delivered Lumens = [Delivered Lumen Value] x [CCT Multiplier]	
CCT & LM MULTIPLIER	27K	2700K	(0.98)
	30K	3000K	(1.00)
	35K	3500K	(1.02)
	40K	4000K	(1.03)
CRI	90	90 CRI	
OPTICS & LM MULTIPLIER	20D	20 degrees	(0.95)
	35D	35 degrees	(0.98)
	50D	50 degrees	(1.00)
VOLTAGE	120	120V	
DIMMING	ELV	leading and trailing edge (Triac/ELV) dimming to 5%	
MOUNTING OPTION	P	pendant, 120" flexible cord	
	MP	monopoint canopy	
	S	surface mount	
	LGTR¹	Lightolier - Track	
	ECOH	ECOH/HALO - Track	
	ECOJ¹	ECOJ/JUNO - Track	
	ECOHP¹	ECOH/HALO pendant, 120" flexible cord	
	ECOJP¹	ECOJ/JUNO pendant, 120" flexible cord	
FINISH	BK	black	
	WH	white	
ACCESSORIES	See the last page for details.		

ORDERING CODE

Follow the steps to specify your fixture, example:

GX15 - 15LM - 30K - 90 - 35D - 120 - ELV - ECOH - BK

NOTES

1. Adaptor designed with adjustable conductor for 2 circuit (J and L Type) tracks.

PROJECT INFORMATION

JOB NAME		TYPE	
ORDERING CODE			

PHOTOMETRIC DATA

15LM CCT MULTIPLIERS	
	90CRI
2700K	0.97
3000K	1.00
3500K	1.02
4000K	1.05
FC Formula = CBCP / Distance ²	

20D 21.2° NO ACCESSORY	
Throw Distance (ft)	Beam Diameter (ft)
6	1.71
8	2.2
10	2.7
12	3.3
14	4.0
Illuminance at Center (fc)	
6	171
8	96
10	62
12	43
14	31
WATTS: 16.5	LPW: 88.6
LUMENS: 1461	CCT: 3000K
INTENSITY	
DEGREE	CANDELA
0	6150
5	5330
15	1562
25	453
35	206
45	125

35D 32.7° NO ACCESSORY	
Throw Distance (ft)	Beam Diameter (ft)
6	1.97
8	2.6
10	3.3
12	4.0
14	4.8
Illuminance at Center (fc)	
6	97
8	54
10	35
12	24
14	18
WATTS: 16.5	LPW: 91.3
LUMENS: 1507	CCT: 3000K
INTENSITY	
DEGREE	CANDELA
0	3478
5	3311
15	1930
25	801
35	261
45	97

50D 52.2° NO ACCESSORY	
Throw Distance (ft)	Beam Diameter (ft)
6	2.53
8	3.3
10	4.2
12	5.1
14	6.1
Illuminance at Center (fc)	
6	53
8	30
10	19
12	13
14	10
WATTS: 16.5	LPW: 92.8
LUMENS: 1531	CCT: 3000K
INTENSITY	
DEGREE	CANDELA
0	1888
5	1909
15	1751
25	1030
35	399
45	108

15LM CCT MULTIPLIERS	
	90CRI
2700K	0.97
3000K	1.00
3500K	1.02
4000K	1.05
FC Formula = CBCP / Distance ²	

20D 19.1° SNOOT-BK	
Throw Distance (ft)	Beam Diameter (ft)
6	1.96
8	2.7
10	3.4
12	4.1
14	4.9
Illuminance at Center (fc)	
6	196
8	110
10	71
12	49
14	36
WATTS: 16.5	LPW: 72.8
LUMENS: 1201	CCT: 3000K
INTENSITY	
DEGREE	CANDELA
0	7065
5	5823
15	1475
25	356
35	154
45	22

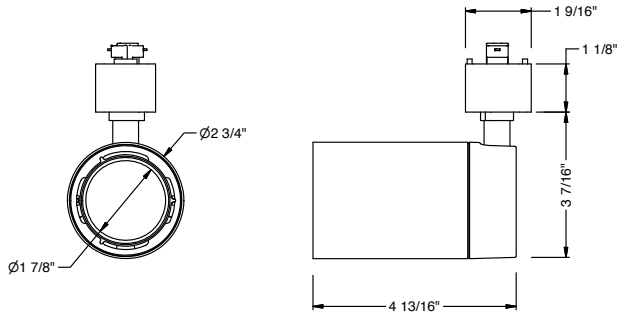
35D 32.6° SNOOT-BK	
Throw Distance (ft)	Beam Diameter (ft)
6	2.94
8	3.9
10	4.9
12	5.9
14	6.9
Illuminance at Center (fc)	
6	94
8	53
10	34
12	23
14	17
WATTS: 16.5	LPW: 77.4
LUMENS: 1277	CCT: 3000K
INTENSITY	
DEGREE	CANDELA
0	3370
5	3199
15	1857
25	731
35	159
45	18

50D 49.2° SNOOT-BK	
Throw Distance (ft)	Beam Diameter (ft)
6	3.56
8	4.7
10	5.9
12	7.1
14	8.3
Illuminance at Center (fc)	
6	56
8	31
10	20
12	14
14	10
WATTS: 16.5	LPW: 78.3
LUMENS: 1291	CCT: 3000K
INTENSITY	
DEGREE	CANDELA
0	1964
5	1991
15	1800
25	940
35	245
45	14

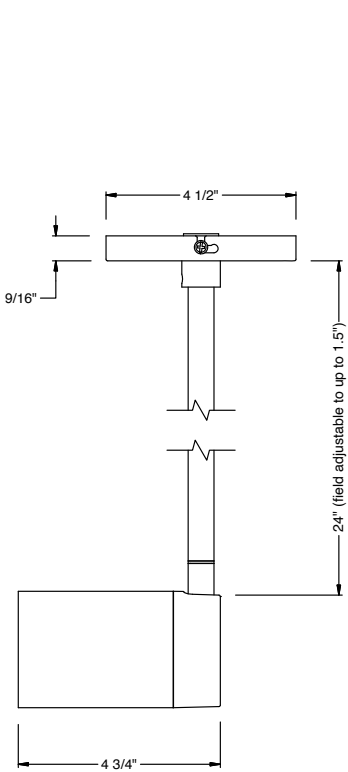
PROJECT INFORMATION

JOB NAME		TYPE	
ORDERING CODE			

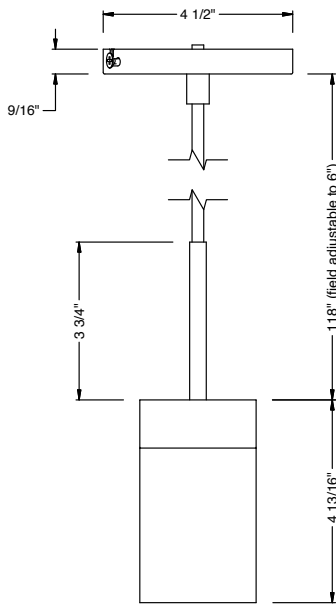
MOUNTING OPTIONS



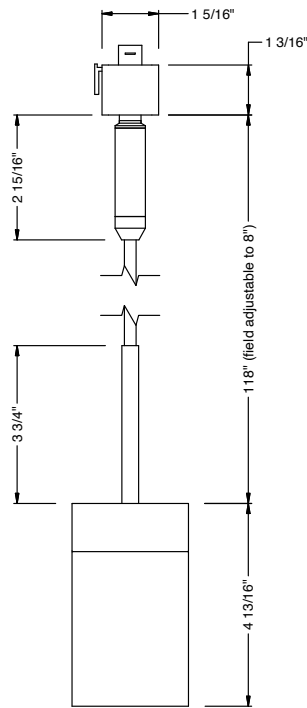
ECOH / ECOJ / LGTR



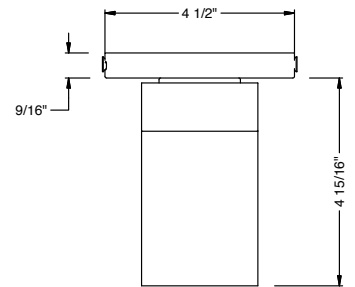
MONOPOINT



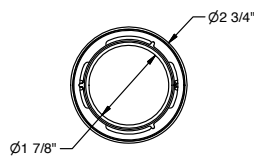
PENDANT



ECOHP / ECOJP



SURFACE MOUNT



PROJECT INFORMATION			
JOB NAME		TYPE	
ORDERING CODE			

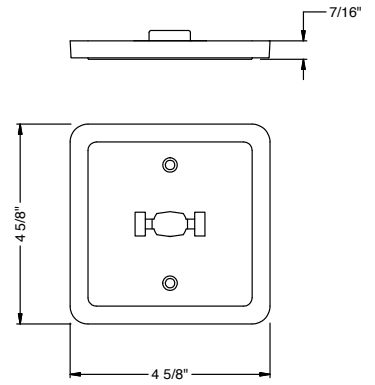
ACCESSORIES

Follow the steps to specify your fixture, example:
GX15 - 15LM - 30K - 90 - 35D - 120 - ELV - ECOH - BK - SNOOT - BK

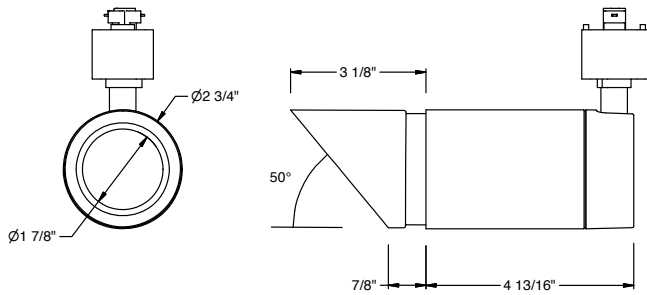
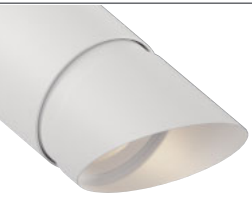
Accessories

- GX15-SNOOT-BK** snoot, black
- GX15-SNOOT-WH** snoot, white
- GX15-HCL-BK** honeycomb louver, black
- GX15-HCL-WH** honeycomb louver, white
- GX15-BD-BK** barn doors, black
- GX15-BD-WH** barn doors, white
- GX15-OVAL-BK** shroud snoot, black
- GX15-OVAL-WH** shroud snoot, white
- K20272/ECOMPBK** eco canopy, black
- K20272/ECOMPWH** eco canopy, white

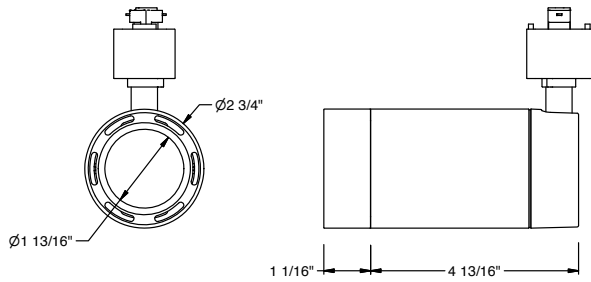
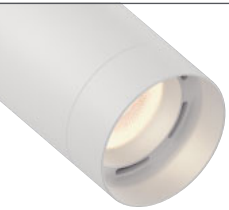
NOTE: Omit GX15 from code when requesting accessory with fixture



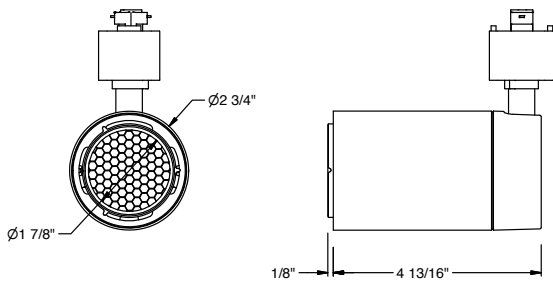
SHROUD SNOOT



SNOOT



HONEYCOMB LOUVER



BARN DOORS

